



AUDIOVECTOR

Handmade in Denmark since 1979

AUDIOVECTOR INWALL

INSTRUCTION MANUAL

Thank you for purchasing Audiovector InWall speakers. Audiovector's new series of InWall speakers include some truly innovative technology, which makes it possible to mimic the sound of freestanding high end speakers although the InWalls are positioned on a wall. Audiovector's proprietary DCS-concept (Diffraction Cancellation System) eliminates unwanted distortion from reflected from the walls around the speakers. The cabinets are made from combination of aerospace grade aluminum and NRFB wood material to form an inert entity, where material distortion is totally absent. The result is a very high quality of performance from compact wall speakers.

1. THE INWALL SERIES

The InWall series consists of 4 models - Super, Signature, Avantgarde and Avantgarde Arreté. Some of the models include our DCS-Diffraction Cancellation System, which reduces unwanted reflection from the wall around the speakers dramatically. The result is a very clean and spacious sound - almost as if the speakers were positioned well away from the rear wall. The generous use of solid aluminum on some models and an enclosure, which is lopsided, stiff and well damped, makes sure that you get – for the first time – audiophile sound quality from compact Inwall speakers.

2. FUTURE PROOF AND UPGRADABLE


The Audiovector InWall speakers are future proof and upgradable whenever you should wish to do so. Consult your dealer for more specific information.

3. APPLICATION

The four Audiovector InWall models can be used as rear speakers in a surround system based on Audiovector R-series. They can also be used as additional speakers for secondary rooms - Or as serious high end speaker's for stereo listening. Possibly supplemented by a subwoofer for leaner sounding rooms (not necessary but nice to have). And last, but not least in a 5.1 surround sound system with the front speakers nicely hidden next to a flat screen.

4. INSTALLATION INSTRUCTIONS

We recommend that the speakers are placed at ear level for the best results. They are easy to install. All that is needed is two correctly dimensioned screws and a speaker high quality cable. The rear of the cabinet has channels for cables. Place the four felt pads at each bottom corner in order to prevent unwanted vibration against the wall.

 Caution: For safety reasons, if you are unsure of your ability to provide a secure and safe fixing, please obtain the services of a competent person.

5. WALL MOUNTING INSTRUCTIONS [see page 2]

Cut-out in wall: Minimum 205 x 405 mm rectangular


Minimum depth: 90 mm (from backside of aluframe to bottom of hole)

Room for "doglegs": 15 mm clearance 360 degrees (meaning no lathes within 15 mm)

Clamping: Span until the speakers is aligned with the wall – and then ½ turn more. Beware not to overtighten.

Terminals

Use cables which have been pre-soldered – and tighten carefully.

 Caution: The Audiovector InWall speakers are designed for installation in walls and ceilings, where they can be securely installed. Please make sure that the wall or ceiling is solid enough.

Any problems originating from less than perfect installation, will not be Audiovector's responsibility, but the installers responsibility. Any question about installation of Audiovector InWall speakers, will be answered by Audiovector with short notice.

6. MAINTENANCE/SERVICE

If you want to clean your speakers, please use a damp soft piece of cotton. Do not use solvents. In order to maintain your excellent sound quality, please pull out the plugs from the speaker cable every 3 months and clean them with a piece of soft cotton with a little alcohol (or something alike).

7. WARRANTY

Audiovector passive loudspeakers are subject to a 5-year factory warranty, which covers all parts. Audiovector Discreet electronic parts and Audiovector Subwoofers are subject to a 2 year warranty - transportation cost is not included. Please note that unauthorized opening or repair of your speakers, puts your warranty out of function. We wish you many hours of enjoyment with your new Audiovector speakers.

Please direct all warranty and/or service issues to
F3/AUDIOVECTOR ApS
Mileparken 22
DK-2740 Skovlunde, Denmark
Tel +45 35396060
info@audiovector.com



Yours sincerely

Mads Klifoth

CEO

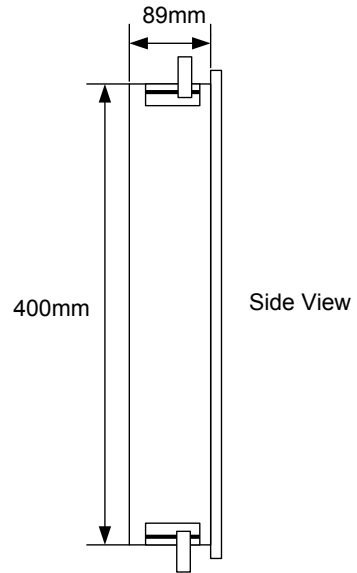
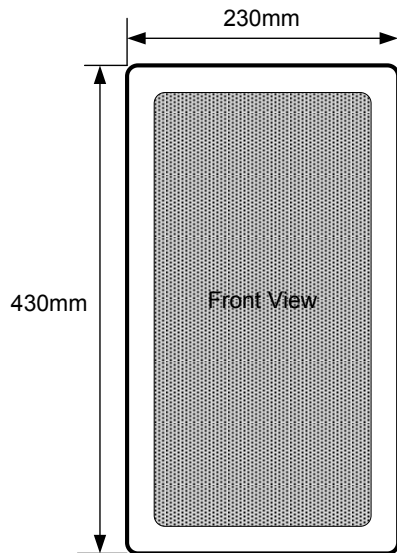
www.audiovector.com



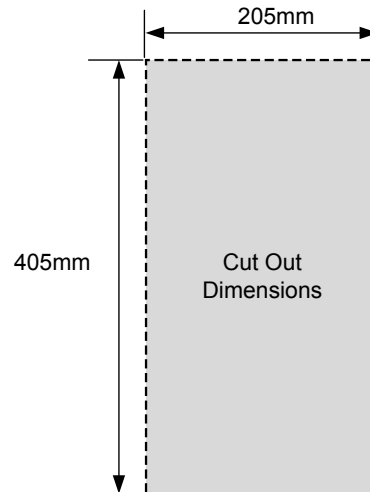
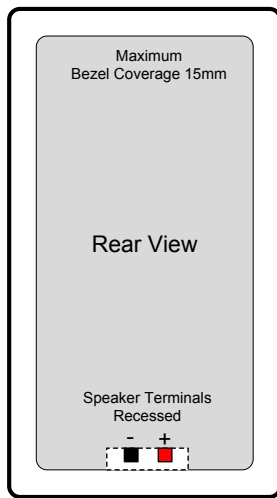


AUDIOVECTOR

Handmade in Denmark since 1979



Minimum Wall Thickness: 9mm
Maximum Wall Thickness: 60mm



www.audiovector.com

